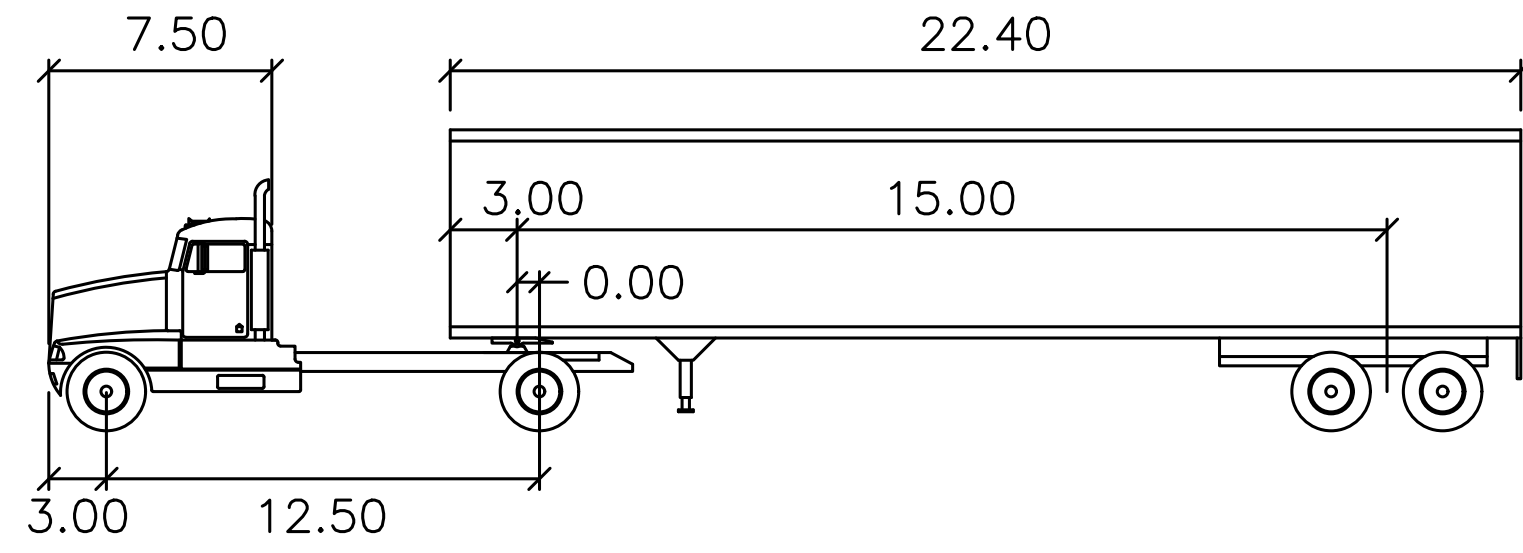
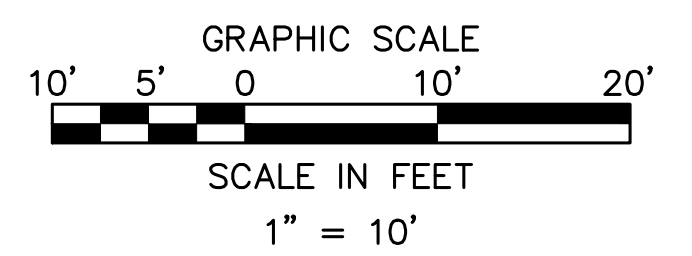


STEERING LOCK ANGLE = 20.3 deg.  
 ACHIEVED STEERING ANGLE:

- 30 deg. SWEEP ANGLE: 15.6 deg.
- 60 deg. SWEEP ANGLE: 19.2 deg.
- 90 deg. SWEEP ANGLE: 20.1 deg.
- 120 deg. SWEEP ANGLE: 20.3 deg.
- 150 deg. SWEEP ANGLE: 20.3 deg.
- 180 deg. SWEEP ANGLE: 20.3 deg.

WB-20 Custom  
 [ft]  
 (c) 2020 Transoft Solutions, Inc. All rights reserved.



WB-20

Tractor Width	: 8.00	Lock to Lock Time	: 6.0
Trailer Width	: 8.00	Steering Angle	: 20.3
Tractor Track	: 8.00	Articulating Angle	: 70.0
Trailer Track	: 8.00		

Date	Revision	Drawn By	Checked By

135 LITTLE STREET  
 Block 8905, Lot 20  
 Township of Belleville Essex County New Jersey

**CIRCULATION EXHIBIT 1-C**

 <small>156 WALKER ROAD        WEST ORANGE, N.J. 07052        PH: 973-885-3464        CERT. OF AUTH. # 24GA28239000</small>	Job #: Scale: AS SHOWN Date: 3/16/2020
	Drawn By: B.A.C. Checked By: L.D.K.

KLEIN TRAFFIC CONSULTING, LLC  
 This drawing and all information contained herein is proprietary information of KLEIN TRAFFIC CONSULTING, LLC and may not be copied or reproduced, either in whole or in part, by any method, without written permission of KLEIN TRAFFIC CONSULTING, LLC.

PROJECT: DATE: 3/18/2020