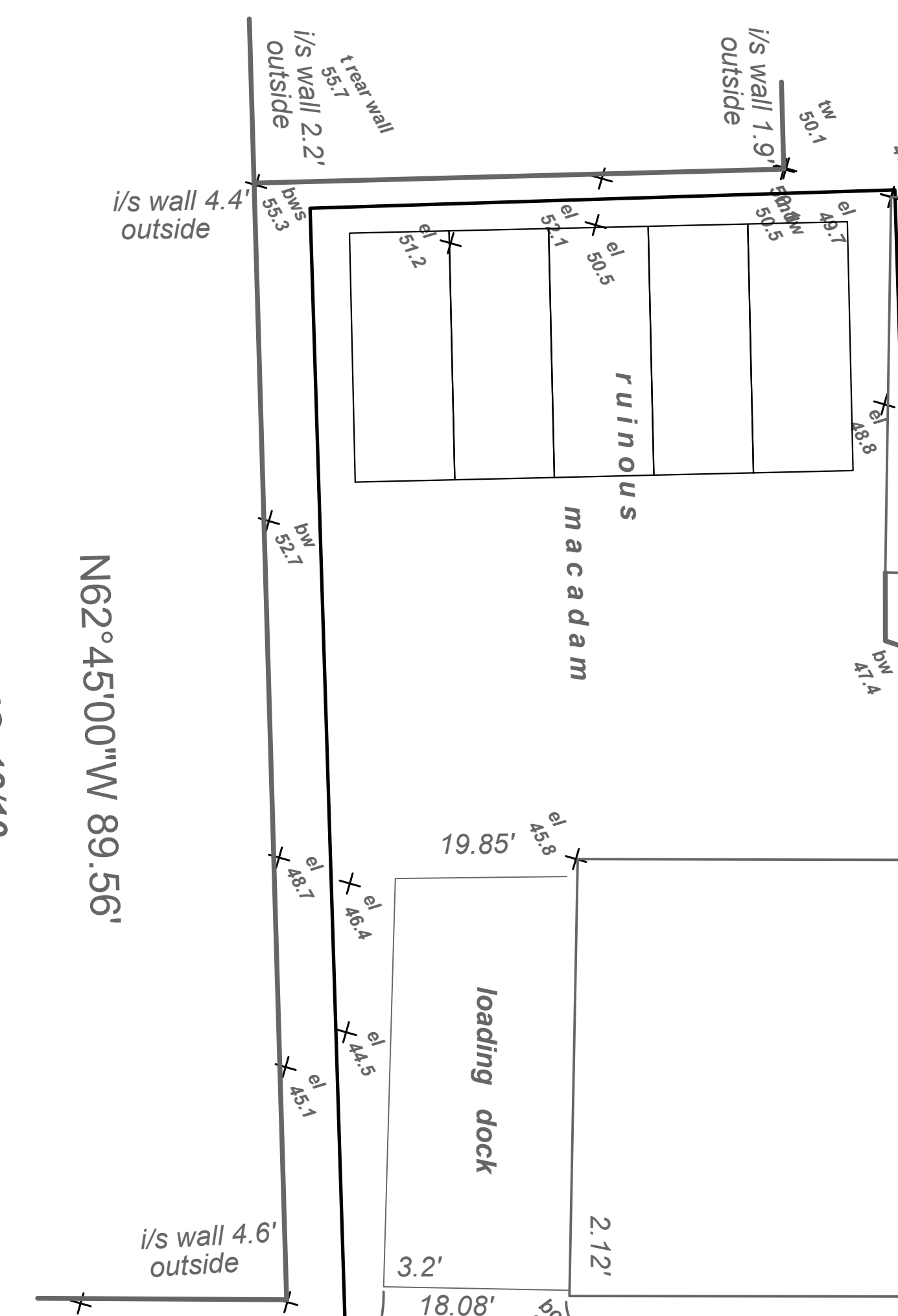


PROJECT: DATE: 3/16/2020 TIME: 3:02 PM

LOT NO. 13  
 N27°15'00"E 47.00'  
 LOT NO. 12/10  
 N62°45'00"W 89.56'



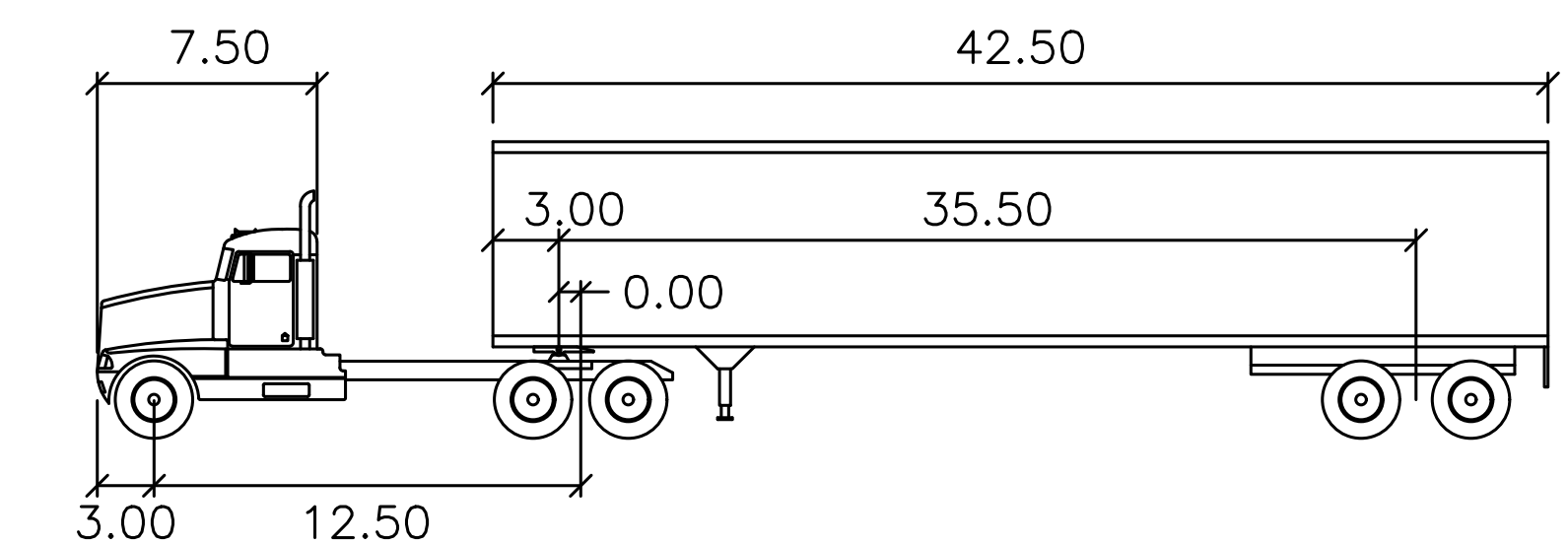
LOT NO. 19  
 N27°15'00"E 107.80'  
 S62°45'00"E 44.74'  
 0.32' inside  
 block garage  
 1.74' inside  
 i/s rr tie wall  
 1.8' inside  
 9.12'  
 macadam  
 driveway  
 12.67'  
 0.7' inside  
 i/s rr tie wall  
 0.3' inside  
 1.2' outside  
 i/s rr tie wall  
 1.2' outside  
 2.19'

1 STORY  
 BRICK  
 St. No. 135  
 4630.99 SqFt

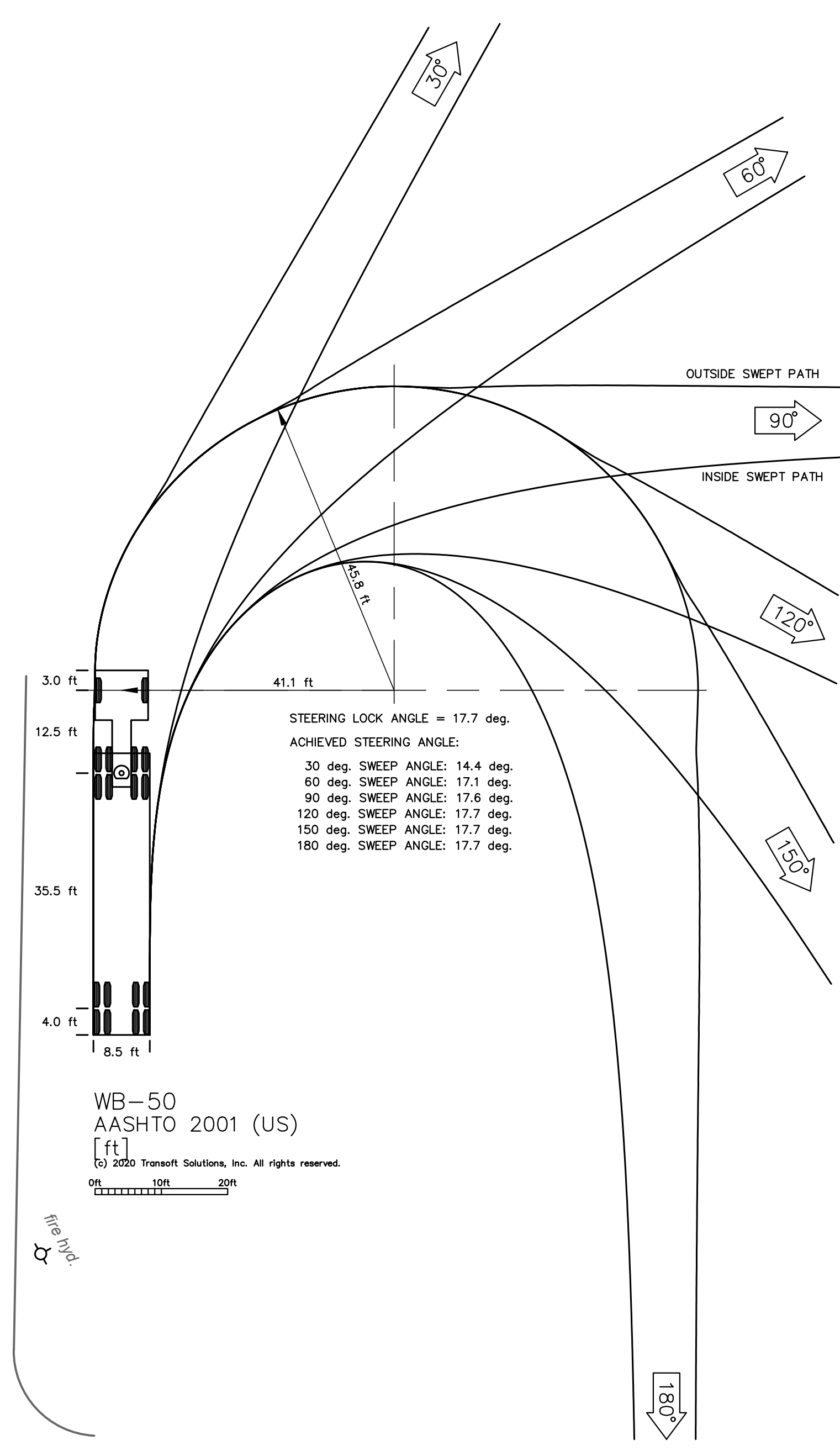
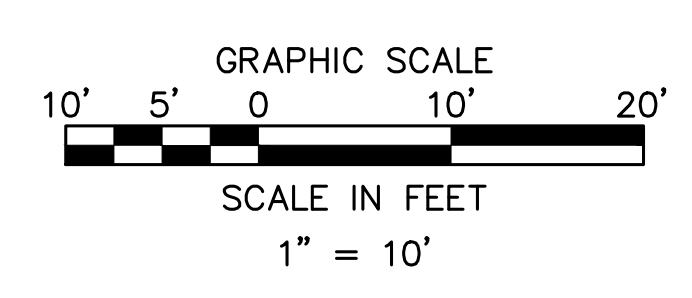
STREET  
 S59°54'00"E 49.68'  
 WB-50 AASHTO 2001 (US)

WB-50 AASHTO 2001 (US)  
 15.0' SIDE RIGHT OF WAY PRIVATE LANE  
 PART OF LOT NO. 38

CONRAIL PATESON NEWARK & NEW YORK MAINLINE



WB-50  
 feet  
 Tractor Width : 8.00  
 Trailer Width : 8.50  
 Tractor Track : 8.00  
 Trailer Track : 8.50  
 Lock to Lock Time : 6.0  
 Steering Angle : 17.7  
 Articulating Angle : 70.0



WB-50  
 AASHTO 2001 (US)  
 [ft]  
 © 2020 Transoft Solutions, Inc. All rights reserved.

Date	Revision	Drawn By	Checked By

135 LITTLE STREET  
 Block 8905, Lot 20  
 Township of Belleville Essex County New Jersey

**CIRCULATION EXHIBIT 1-B**

<b>KLEIN</b> TRAFFIC CONSULTING, LLC <small>156 WALKER ROAD          WEST ORANGE, N.J. 07052          PH: 973-885-3464          CERT. OF AUTH. # 24GA28239000</small>	Job #: Scale: AS SHOWN Date: 3/16/2020	Exhibit: <b>1-B</b>
	Drawn By: B.A.C. Checked By: L.D.K.	

KLEIN TRAFFIC CONSULTING, LLC  
 This drawing and all information contained herein is proprietary  
 information of KLEIN TRAFFIC CONSULTING, LLC and may not be copied or  
 reproduced, either in whole or in part, by any method, without written  
 permission of KLEIN TRAFFIC CONSULTING, LLC.