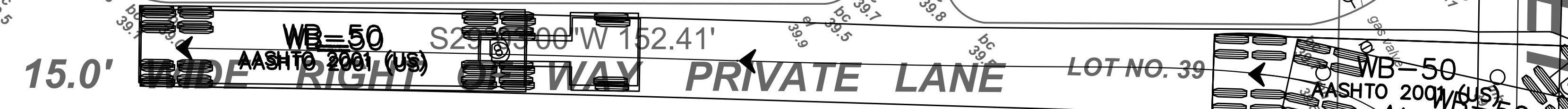
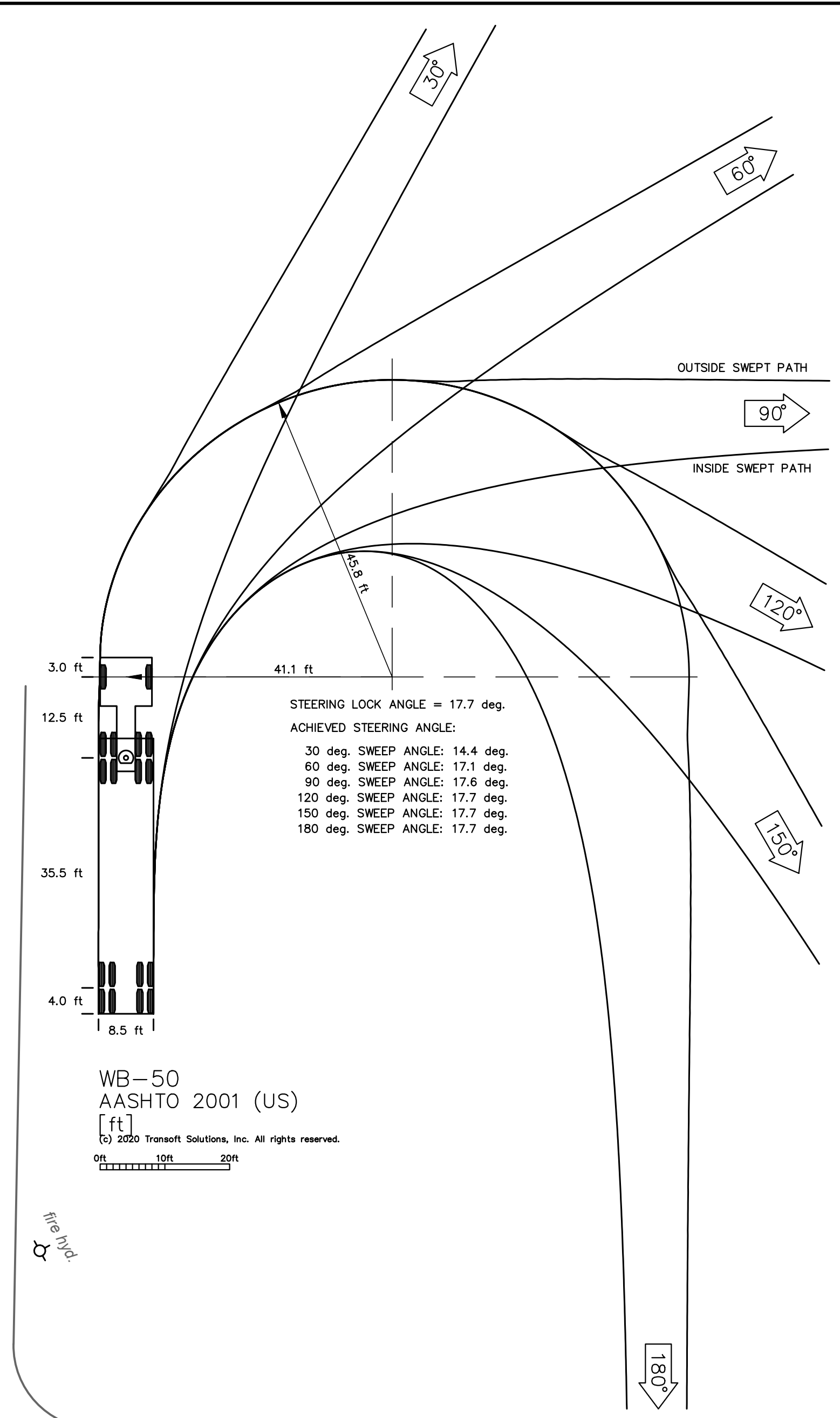
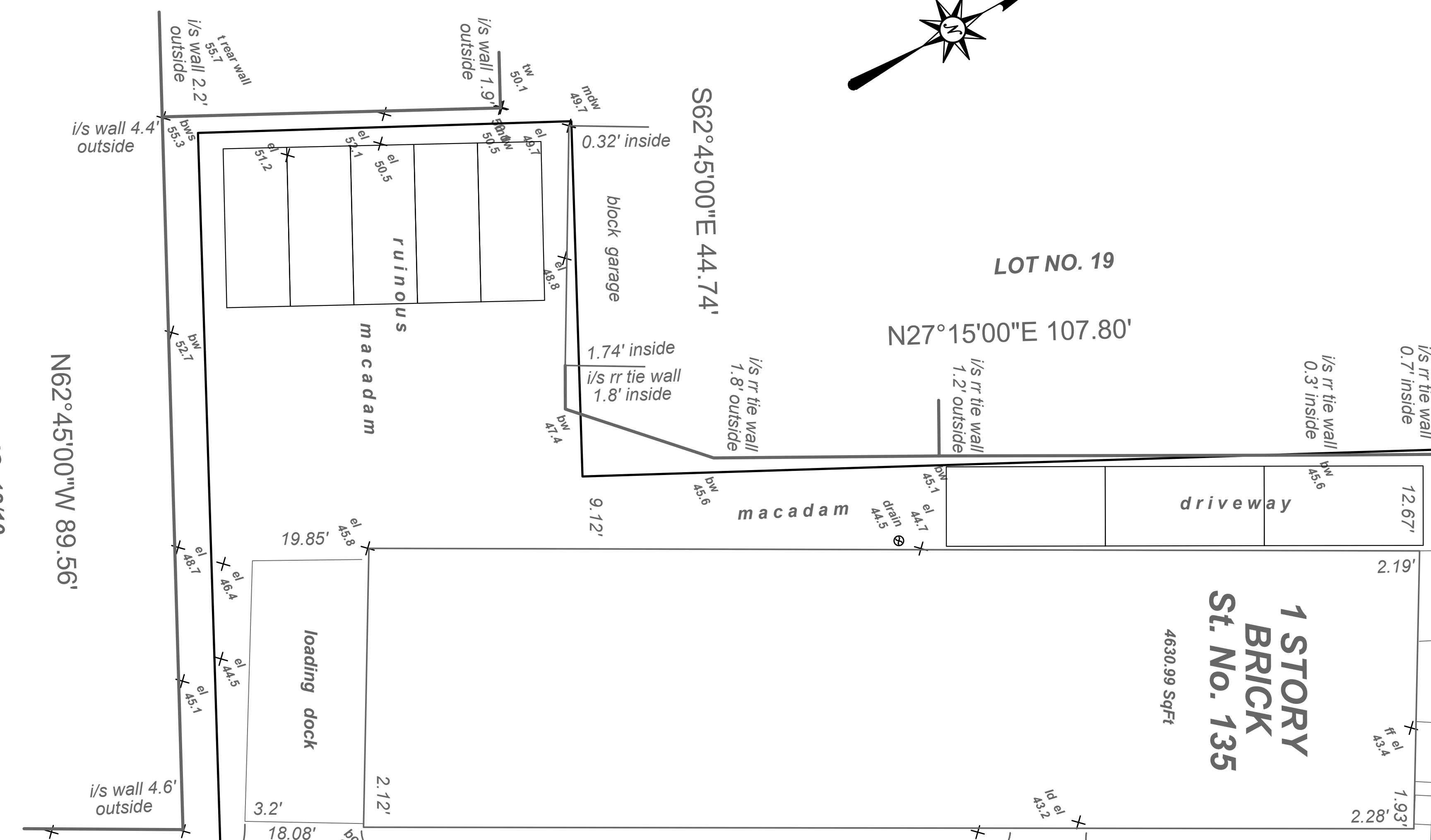
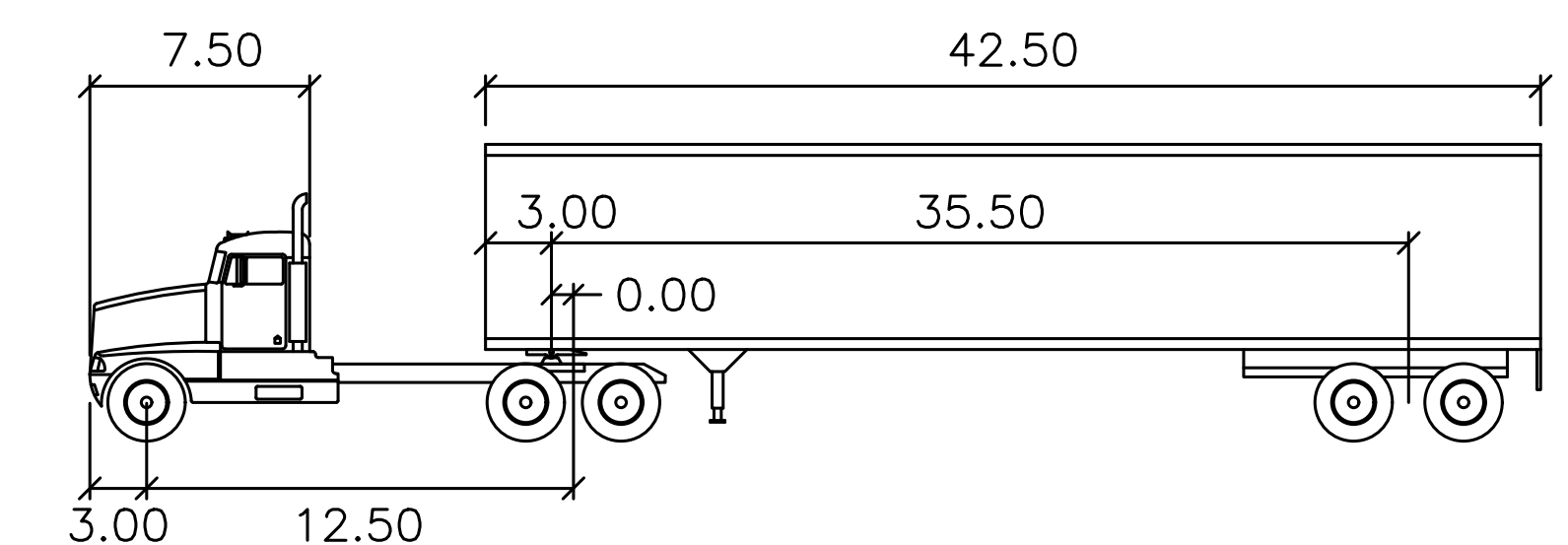


PROJECT: DATE: 3/18/2020 TIME: 3:01 PM

LOT NO. 13
 N27°15'00"E 47.00'
 LOT NO. 12/10
 N62°45'00"W 89.56'

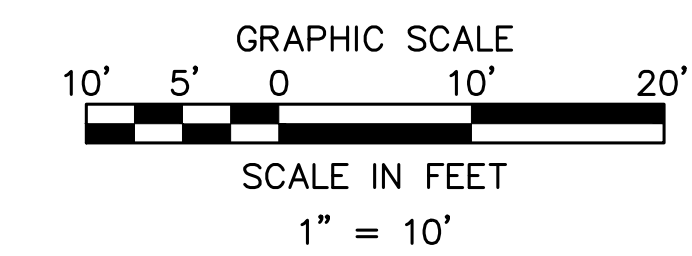


CONRAIL PATESON NEWARK & NEW YORK MAINLINE



WB-50

Tractor Width	: 8.00	Lock to Lock Time	: 6.0
Trailer Width	: 8.50	Steering Angle	: 17.7
Tractor Track	: 8.00	Articulating Angle	: 70.0
Trailer Track	: 8.50		



Date	Revision	Drawn By	Checked By

135 LITTLE STREET
 Block 8905, Lot 20
 Township of Belleville Essex County New Jersey

CIRCULATION EXHIBIT 1-A

KLEIN TRAFFIC CONSULTING, LLC <small>156 WALKER ROAD WEST ORANGE, N.J. 07052 PH: 973-885-3464 CERT. OF AUTH. # 24GA28239000</small>	Job #: Scale: AS SHOWN Date: 3/16/2020
	Drawn By: B.A.C. Checked By: L.D.K.

Exhibit: **1-A**

KLEIN TRAFFIC CONSULTING, LLC
 This drawing and all information contained herein is proprietary information of KLEIN TRAFFIC CONSULTING, LLC and may not be copied or reproduced, either in whole or in part, by any method, without written permission of KLEIN TRAFFIC CONSULTING, LLC.